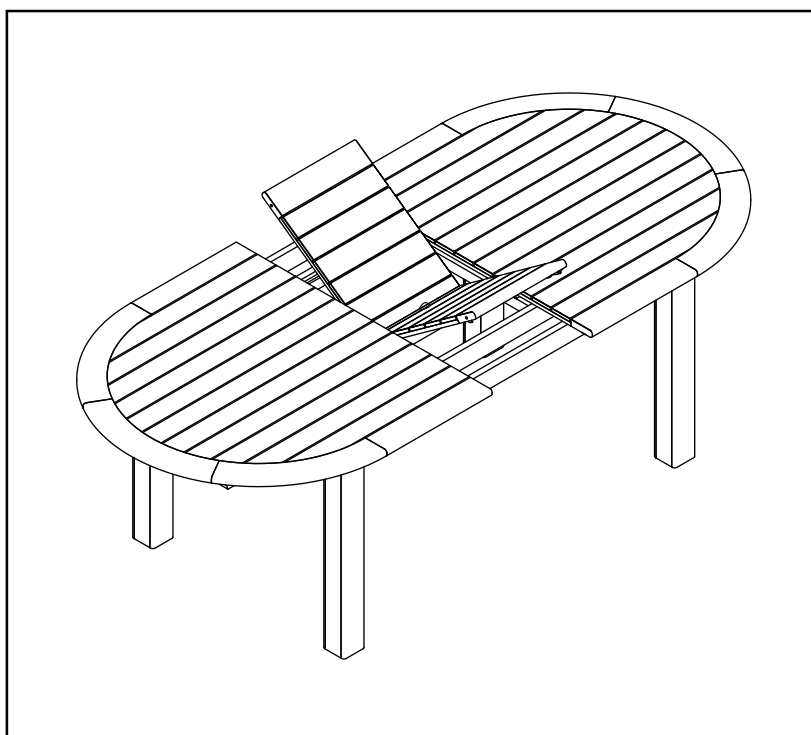


WORLD MARKET®

Assembly Instructions

Mariposa Butterfly Ext Table

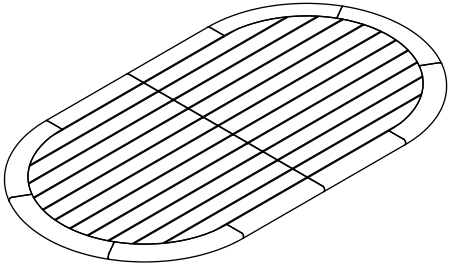
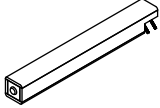

SKU - 619680







THANK YOU FOR YOUR PURCHASE. IF YOU HAVE ANY QUESTIONS
PERTAINING TO THE ASSEMBLY OF THIS FURNITURE PIECE, PLEASE CONTACT
THE NEAREST WORLD MARKET STORE.
IF YOU ARE NOT NEAR A STORE, PLEASE CALL OUR CUSTOMER SERVICE CALL
CENTER TOLL FREE AT 877- 967-5362 FOR ASSISTANCE.

All products sold at World Market are not for commercial use
and are intended for residential use only.

Component List

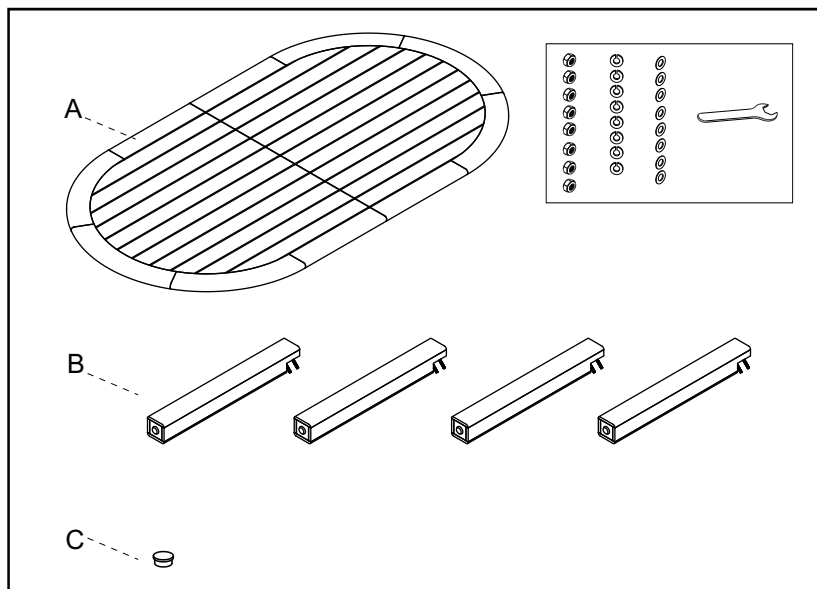
LABEL	PICTURE	DESCRIPTION	QTY
A		TABLE TOP PANEL (Ships in the closed/stowed configuration)	1
B		LEG	4
C		UMBRELLA HOLE CAP	1

Hardware List

LABEL	PICTURE	DESCRIPTION	Q'TY
H-1		HEXAGON NUT Ø8x13mm	x8
H-2		SPRING WASHER Ø8.5/Ø14x2mm	x8
H-3		FLAT WASHER Ø8.5/Ø20x2mm	x8
H-4		OPEN WRENCH	x1

Assembly Preparation

Before Beginning:



- Unpack all hardware bags and components to ensure you have all parts.



- Read instructions, cover to cover.



- Have 2 adults on hand for assembly.



- Do not assemble on flooring or carpet.



- Assemble on a clean non-marring surface (packing foam).







- Save all packaging until finished.

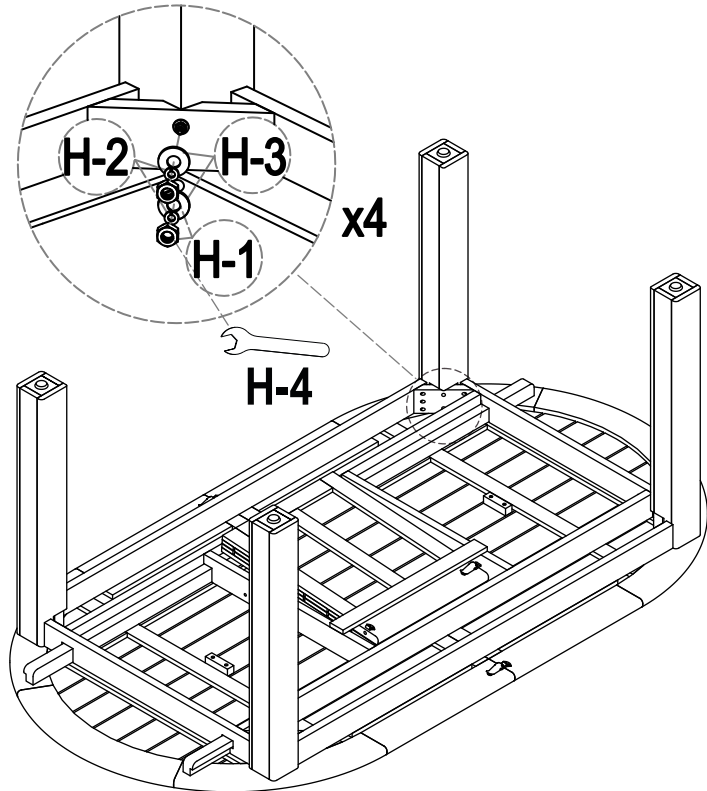


- In case of missing parts, please contact your nearest World Market store or call our customer service call center at call 1-877-967-5362.

Assembly Steps

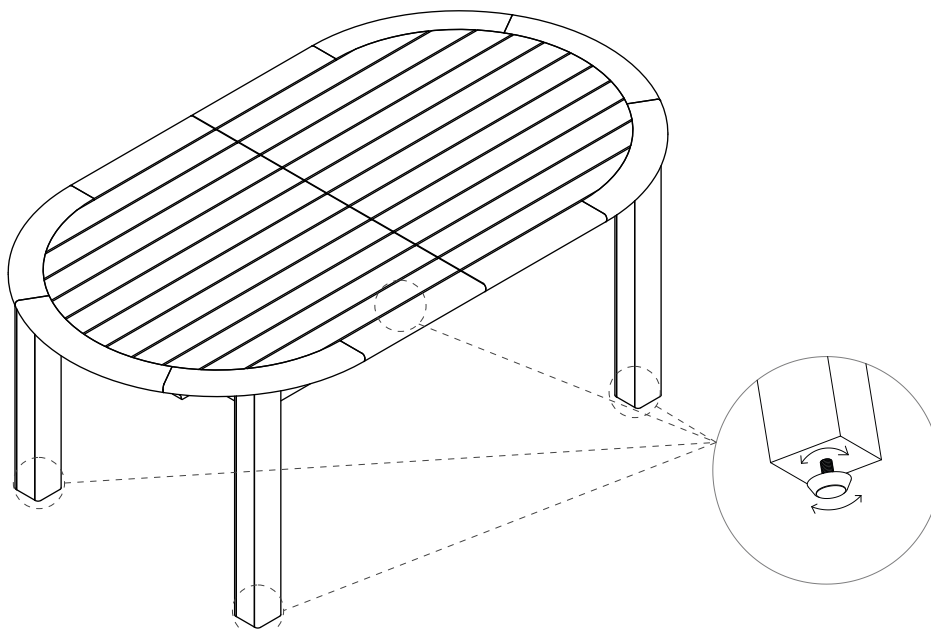
Step 1

-  (H-1) HEXAGON NUT x8
-  (H-2) SPRING WASHER x8
-  (H-3) FLAT WASHER x8
-  (H-4) OPEN WRENCH x1



Place Table Top Panel (A) upside down on a padded non - marring surface.
Place Legs (B) into corners of apron and secure with Hexagon Nuts (H-1), Spring Washers (H-2) and Flat Washers (H-3), stacking the hardware in the order as shown. Use Open Wrench (H-4) to tighten.
Repeat for other legs. Fully tighten all bolts using (H-4) Open Wrench.

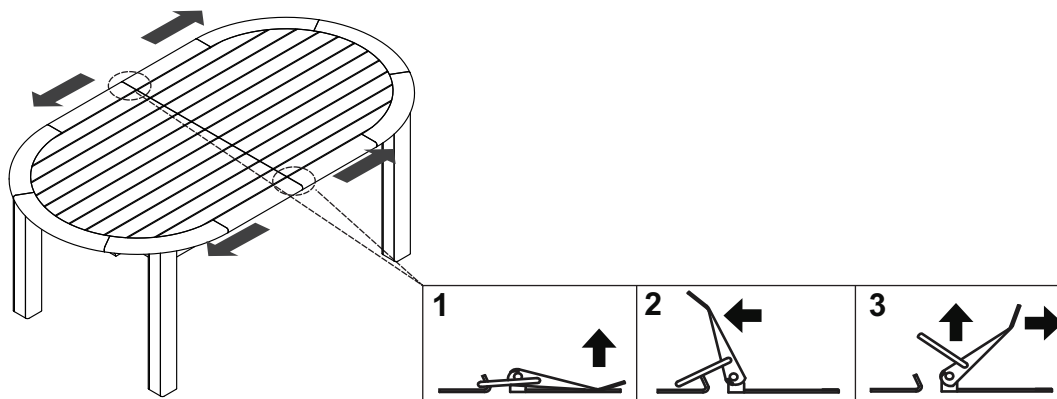
Step 2



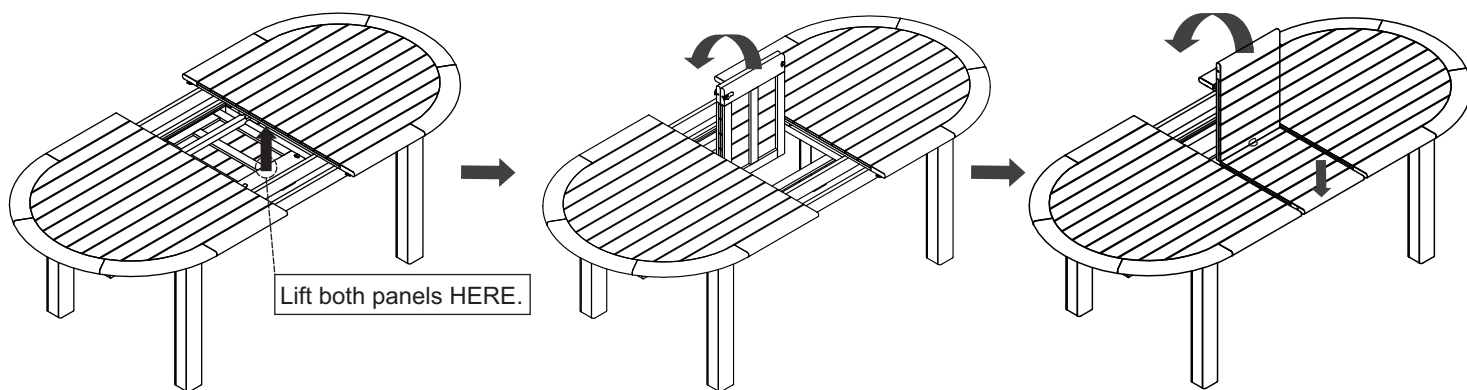
With the help of a second person, turn the table upright. Assembly is now complete and ready for use.
NOTE: adjustable levelers can be used to stabilize assembly on uneven surfaces.

Opening/Closing the Extension Table

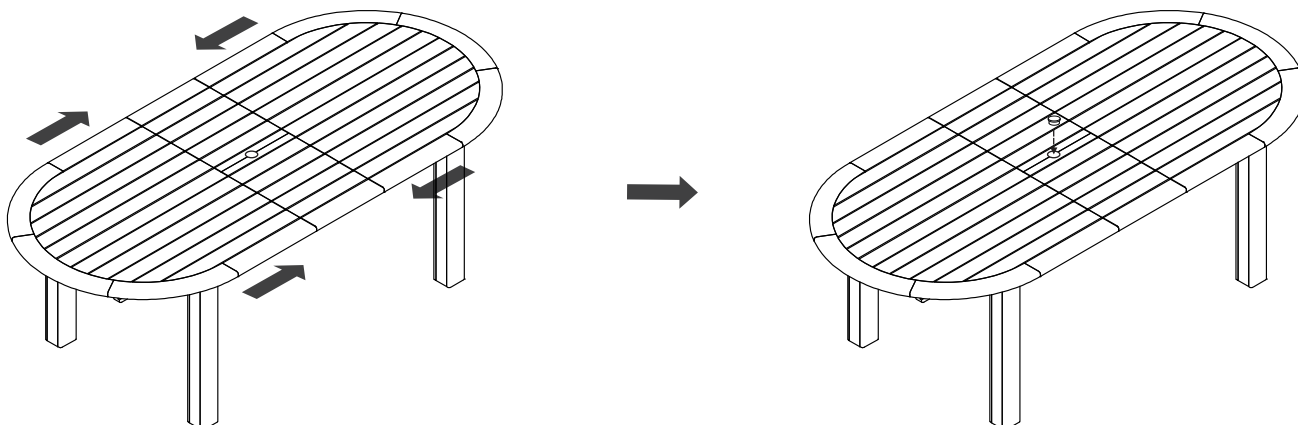
To Open and Deploy the Extension Table:



It is recommended to have two people on hand to open and deploy the extension table. Release the safety locks located on each side at the mid-point of the table as highlighted above. To disengage the safety lock, lift up on the paddle and disengage the D-ring clasp from the hook. With both safety locks released and using a second person to assist you, hold the edges of the table on both sides of the division. Gently slide both halves of Table Top Panel (A) away from the center of the table as shown by the arrows to reveal the extension leaves.



There are TWO extension leaf panels stored in the center of the table. Grab and lift the edges of BOTH extension leaf panels as noted in the illustration above as "lift here" and pivot them upwards. DO NOT let either of the extension leaf panels fall unsupported. Carefully set the first extension leaf panel down until it rests evenly on the table apron. Then, repeat the process carefully lowering the second panel down into position as shown.



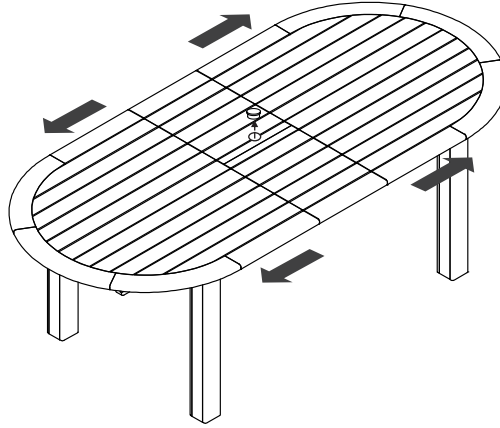
Hold both edges of outer halves of Table Top Panel (A). Gently slide both halves toward the center of table as shown by the arrows to close. Reconnect both safety locks on the underside of the extended table, making sure the D-ring clasp reengages with the hook. Insert Umbrella Hole Cap (C) into the corresponding hole as shown. The table is now ready for use in the open/extended configuration.

Closing the Extension Table

To Close/stow the Extension Table:

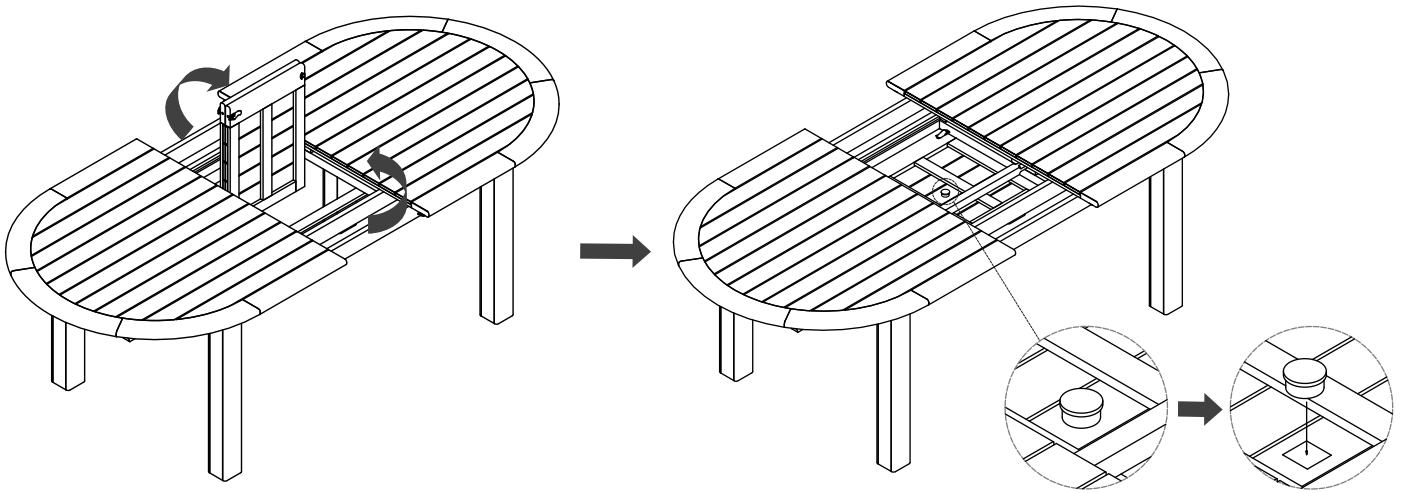
IMPORTANT:

Remove Umbrella Hole Cap (C) from umbrella hole before proceeding. Failure to do so may damage the extension leaf panels.

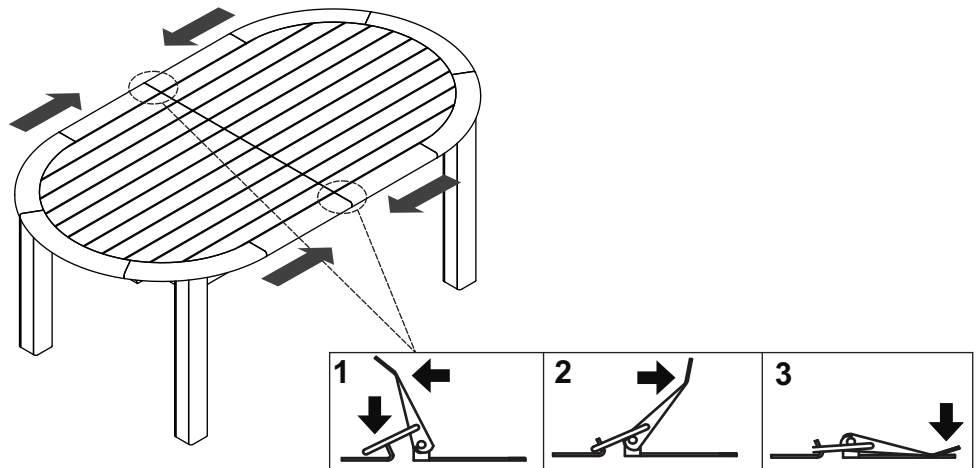


It is recommended to have two people on hand to close/stow the extension table.

IMPORTANT: Remove Umbrella Hole Cap (C) from umbrella hole before proceeding. Failure to do so may damage the extension leaf panels. Release both Safety Locks under Table Top Panel (A) (see safety lock instructions on the previous page). Hold edges of Table Top Panel (A) and slide outward as shown by the arrows above.



Carefully lift both extension leaf panels upright towards the middle of the table as shown. Next, holding BOTH extension leaf panels together, carefully fold them down into the stowed position. DO NOT let either of the extension leaf panels fall unsupported. Lastly, place the Umbrella Hole Cap (C) on top of the folded extension leaf panels for safe storage.



Hold both edges of outer halves of Table Top Panel (A). Gently slide both halves toward the center of table as shown by the arrows to close. Reconnect both safety locks on the underside of the table, making sure the D-ring clasp reengages with the hook. The table is now ready for use in the closed/stowed configuration.

Care & Maintenance



- Do not put hot items directly on furniture surface.



- Do not clean furniture with harsh cleansers or polish.



- Do not place furniture near heating or cooling vents.



- Do not write on furniture without a padded barrier to protect the surface.



- Store furniture or use an appropriate furniture cover during cold or inclement weather.



- All products sold at World Market are not for commercial use and are intended for residential use only.



- Dust and pick-up spills using a clean, non-colored, lint-free cloth.



- Stains may be removed with mild soap solution and damp cloth.

CAUTION: As with any wood, the color may fade if left in direct sunlight or inclement weather. Minor cracking may occur with age. These are naturally occurring features of wood and do not affect product performance.

We recommend using our Outdoor Wood Furniture Finish sold separately to help preserve and protect the wood and finish.

WORLD MARKET LIMITED ONE-YEAR WARRANTY – Outdoor Furniture

For your customer satisfaction, this product carries a LIMITED ONE-YEAR WARRANTY from the date of purchase. This limited warranty only applies to World Market brand furniture, and not to other furniture brands sold on World Market's website.

Where applicable, the limited warranty provides coverage for:

1. **Manufacturing, Material and Workmanship Defects:** Includes defects related to core frame/structure substrates (wood, metal and stone/tile); complete breakage of hardwood; cracking, splitting or lifting of wood veneer or laminated top surfaces caused by process failure; broken welds or improperly coated metal frame components (powder coating or painted); outdoor fabric, nautical rope and woven Textilene® defects including tears, misprints, fraying, crease marks, skip stitches or open seams; synthetic resin wicker breakage or unraveling; and other component failures that are a direct result of manufacturing or workmanship defects.
2. **Cushions:** Loss of resiliency from a material breakdown of foam or fiber filling, which should not be confused with softening or settling during normal use.
3. **Outdoor Furniture Components (Hardware & Mechanisms):** Includes defects to pre-installed components or hardware provided to the customer for assembly such as metal bases, swivel plate mechanisms; for umbrellas, canopy crank mechanism, spring loaded pole pins (for adjusting height); and other components such as bent or stripped threaded leg posts and adjustable levelers. Coverage also includes protection against rust and corrosion on hardware. For missing, damaged, corroded, or misplaced hardware components such as bolts or washers, please contact Customer Service at: 877-967-5362.

This LIMITED ONE-YEAR WARRANTY does NOT cover:

1. Damage due to mishandling during transportation from store or transportation without original protective packaging.
2. Abuse, negligence (product misuse), improper storage, stacking or wear and tear that may result in or from:
 - a. **Wood & Veneer:** Mishandling, prolonged exposure to moisture, peeling or discoloration caused by exposure to moisture or excessive sunlight, heat; splintered, dented or nicked panels, legs or component edges or paint/finish blemishes; or treatment with corrosive chemicals (dyes, inks, paints or harsh cleaning products). **NOTE: As with any outdoor rated wood, the color may fade if left in direct sunlight of inclement weather. Minor cracking may occur with age. These are naturally occurring features of wood and do not affect product performance.**
 - b. **Fabric (Including Sunbrella® Fabrics), Rope, Textilene®, All-Weather Wicker:** cuts, punctures, tears, burns, pet damage, or treatment with corrosive chemicals (dyes, inks, paints or harsh cleaning products), exposure to fire, high heat, water, or prolonged exposure to direct sunlight that may cause splitting, peeling, fraying or discoloration with time.
 - c. **Foam (Cushions):** Flattening, relaxing or settling/softening of foam components that comes with normal use.
 - d. **Hardware Components:** improper installation or misuse/substitution of hardware components not defined in the Assembly Instructions for the product (if applicable)
3. Damage due to prolonged environmental/inclement weather exposure such as direct sunlight, extreme heat, water or extreme humidity, strong winds, any bright light source (natural or artificial), chlorine or saltwater pools, or any environment that the product is not intended for. We HIGHLY recommend storing furniture, umbrellas and cushions with outdoor rated furniture covers and out of direct exposure during the winter or inclement weather events.
4. This warranty is applicable for outdoor furniture products purchased for residential use only.

For additional information on returns, please visit: <https://www.worldmarket.com/category/customer-service/returns.do>

All products sold at World Market are NOT FOR COMMERCIAL USE and are intended for residential use only. Products purchased for commercial use will VOID all warranty provisions as listed above.

Any claims under this LIMITED ONE-YEAR WARRANTY are valid and applicable only as to the original purchaser and must be accompanied by proof of purchase. Warranty claims should be submitted to a World Market store or through World Market Customer Service Call Center, Toll Free at 877-967-5362.

For valid warranty claims, World Market will repair or replace the product, or offer a full or partial credit, in the sole discretion of World Market. This LIMITED ONE-YEAR WARRANTY gives you specific legal rights and you may also have other rights which vary from state to state.

(OUTDOOR FURNITURE 1LW_v1.3_051122)